

DMS655SM

DMS692

DMS652

DMS651



# DMS SERIES

---

## INSTALLATION/OWNERS MANUAL

Marine Speakers








## Getting Started


Thanks for choosing Dual. This manual is designed to provide information for the purchaser of Dual Marine products. Dual has attempted to make sure all the information in this manual is current. But, this information is subject to change without notice.

## Safety

 <b>CAUTION</b> This symbol with "CAUTION" is intended to alert the user to the presence of important instructions. Failure to heed the instructions can result in injury or unit damage.
---


 **CAUTION** To prevent injury and damage to the unit, please read and follow the instructions in this manual.

 **CAUTION** If you feel unsure about installing this system yourself, have it installed by a qualified audio technician.

 **CAUTION** Before installation, disconnect the battery negative (-) terminal to prevent damage to the unit, fire and/or possible injury.

# Installation

Please Note: This manual covers multiple models. Parts of the following instructions may not apply to your installation.

 **CAUTION** The installation instructions included here are basic. If you feel unsure about personally installing the speaker system. Dual recommends that you seek installation by a qualified sound technician.

**Before installation, please follow the following rules:**

1. Be sure to carefully read and understand the instructions before attempting to install the product.
2. For safety, disconnect the negative lead from the battery prior to beginning the installation.
3. For easier assembly, we recommend that if additional wiring is required, that you run all wires prior to mounting your speaker in place.
4. Use the highest quality connectors for a reliable installation and to minimize signal or power loss.
5. Use caution before you drill or cut! Be careful not to cut or drill into gas tanks, fuel lines, hydraulic lines, vacuum lines or electrical wiring when working on any vessel.
6. Never run speaker wires underneath or on the exterior of your vessel. Running speaker wires inside provides the best protection from environmental elements.
7. Avoid running wires over, near, or through sharp edged surfaces. We suggest you also use rubber grommets to protect any wires routed through metal or fiberglass.
8. When running the speaker cable from the receiver or amplifier, avoid running it near sources of high current (i.e. wiring harnesses, battery cables).
9. The positive (+) speaker output from the receiver or amp connects to the red terminal of the enclosure, and the negative (-) connects to the black terminal.



## Features & Specifications

### DMS655SM

#### 6.5" SURFACE MOUNT MARINE SPEAKER

- Magnetically Shielded
- Santopren rubber surround
- UV impregnated ABS heat-resistant weatherproof enclosure and Grille
- One-piece cast ABS basket
- Recommended amplifier power 10-65 watts RMS, 175 watts Peak
- Easily converts from surface mount to flush mount

Sensitivity: 93dB

Frequency Response: 60 Hz – 20 kHz

Tweeter: 19 mm Silk Dome Ferrofluid Neo

Woofer: 6.5" Poly - 11 oz Magnet with 2 Layer Voice Coil

Impedance: 4 ohm nominal

Dimensions: Enclosure (HxWxD) 7.5"x7.25"x5.13"

### DMS692

#### 6 X 9" COAXIAL MARINE SPEAKER

- Magnetically Shielded
- Santopren rubber surround
- UV impregnated ABS heat-resistant weatherproof grilles
- One-piece cast ABS basket
- Recommended amplifier power 10-80 watts RMS, 200 watts Peak
- Requires 3.82" of mounting depth and 5.75"x8.80" cutout

Sensitivity: 94dB

Frequency Response: 55Hz – 22 kHz

Tweeter: 25 mm Dome Ferrofluid Neo

Woofer: 6x9" Poly - 20 oz Magnet with 2 Layer Voice Coil

Impedance: 4 ohm nominal

Dimensions: Diameter 7.75"x10"



## Features & Specifications

### DMS652

#### 6.5" COAXIAL MARINE SPEAKER

- Magnetically Shielded
- Santopren rubber surround
- UV impregnated ABS heat-resistant weatherproof grilles
- One-piece cast ABS basket
- Recommended amplifier power 10-65 watts RMS, 175 watts Peak
- Requires 3.45" of mounting depth and 5.63" cutout diameter

Sensitivity: 93dB

Frequency Response: 65Hz – 20 kHz

Tweeter: 19 mm Silk Dome Ferrofluid Neo

Woofer: 6.5" Poly - 11 oz Magnet with 2 Layer Voice Coil

Impedance: 4 ohm nominal

Dimensions: Diameter 7.25"

### DMS651

#### 6.5" DUAL CONE MARINE SPEAKER

- Magnetically Shielded
- Rubber surround
- UV impregnated ABS heat-resistant weatherproof grilles
- Durable Lightweight ABS basket
- Recommended amplifier power 10-60 watts RMS, 150 watts Peak
- Requires 3.45" of mounting depth and 5.63" cutout diameter

Sensitivity: 90dB

Frequency Response: 65Hz – 18 kHz

Woofer: 6.5" Poly - 11 oz Magnet

Dual Cone: Mylar

Woffer Cone: Polypropylene

Impedance: 4 ohm nominal

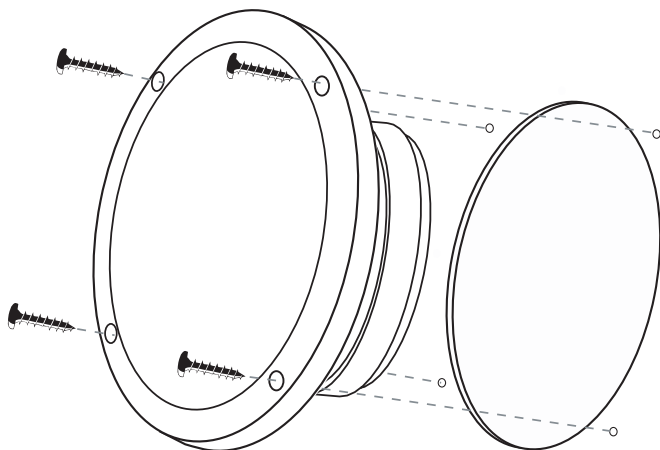
Dimensions: Diameter 7.25"



### Guidelines

We recommend that you will have the best results by consulting a professional installer, but if choosing to do your own installation, please note the following:

- Make sure all moving parts and factory electrical wires are out of your way and will not interfere after installation.
- Leave a little slack in the wire to prevent pulling or stretching.
- Use adhesive backed tie downs and wire clamps to prevent the wires from getting caught or shorted.
- Correct speaker polarity must be observed. The polarity positive side is marked by a (+) sign or red. Speaker that are out-of-phase will have little bass output.
- Speaker wire should be isolated from the vessel's electrical system to avoid noise being picked up by the receiver or amplifier.
- Speaker wire should be large enough to carry the full power of your amplifier. 14 gauge or larger sizes are adequate.
- Be sure to give your ears consideration. Listening to loud music for extended periods can possibly damage your hearing!



**TYPICAL INSTALLATION METHOD**



## Limited One-Year Warranty

This warranty gives you specific legal rights. You may also have other rights which vary from state to state.

Namsung America Inc. warrants this product to the original purchaser to be free from defects in material and workmanship, under normal conditions, for a period of one year from the date of the original purchase.

Namsung America agrees, at our option, during the warranty period, to repair any defect in material or workmanship or to furnish an equal new or renewed product in exchange without charges, subject to verification of the defect or malfunction and proof of the date of purchase.

During the One-Year Warranty Period: For One Year from the date of purchase, your product will be replaced with a new, renewed or comparable product (whichever is deemed necessary) if it becomes defective or inoperative. This is done without charge to you. Replacement products are warranted for the balance of the original warranty period.

**Who is covered?** This warranty is extended to the original retail purchaser for products purchased and used in the U.S.A., in the 48 contiguous states ONLY.

**What is covered?** This warranty covers all defects in material and workmanship in this product. The following are not covered: installation/removal costs, damage resulting from accident, misuse, abuse, neglect, product modification, improper installation, incorrect line voltage, unauthorized repair or failure to follow instructions supplied with the product, or damage occurring during return shipment of the product.

**What to do?** If the product requires warranty service, you must prepay the initial shipping charges. DUAL will pay the return shipping charges if the product is returned to an address within the USA.

Namsung America Inc.  
Attn: Returns Center  
21318 64th Ave. South  
Kent, WA 98032 U.S.A.  
Toll Free: 1-866-626-7863

**Exclusion of Certain Damages:** This warranty is exclusive and in lieu of any and all other warranties, expressed or implied, including without limitation the implied warranties of merchantability and fitness for a particular purpose and any obligation, liability, right, claim or remedy in contract or tort, whether or not arising from the company's negligence, actual or imputed. No person or representative is authorized to assume for the company any other liability in connection with the sale of this product. In no event shall the company be liable for indirect, incidental or consequential damages.



Namsung America Inc.  
21318 64th Ave. South  
Kent, WA 98032 U.S.A.  
Toll Free: 1-866-626-7863

©2003 Namsung America, Inc.  
EVOK0603-V01